



MICROBOX




RFID Surface Asset Marker

The MicroBox is a passive UHF RFID tag, designed for use on non-porous surfaces including metal. It includes a pre-applied peel and stick adhesive. Designed for the harshest environments, the MicroBox is optimal for above ground metal assets such as fire hydrants.

INDUSTRY APPLICATIONS

-  Sewer
-  Gas & Oil
-  Electricity
-  Water
-  Fiber

FEATURES

-  Polycarbonate Encasement
-  Passive UHF RFID
-  Waterproof



Not actual size.

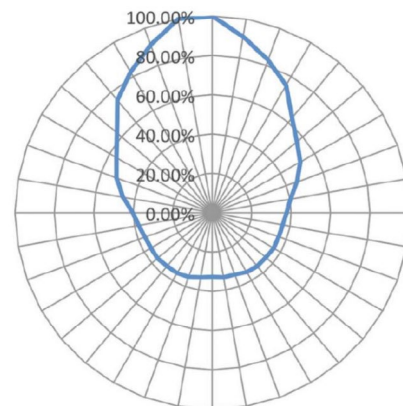
**A SELF-ADHESIVE RUGGED MARKER
TO PLACE ON METAL AND PAINT**

MICROBOX

RFID Surface Asset Marker

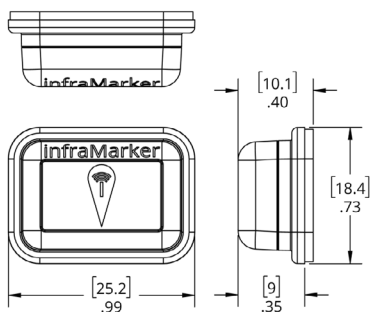
MicroBox's small size provides a high-performance RFID tag optimized for hard surfaces. The rugged encapsulation offers long-lasting performance for utility marking. MicroBox is designed to survive high impact and vibration and can be deployed in harsh industrial and outdoor environments.

ANTENNA PATTERN



PHYSICAL SPECS

Encasement	PC
Size	.99 x .73 x .35 (inches) 25.2 x 18.4 x 9 (mm)
Weight	0.1 (Oz) 4 (gm)



TECHNICAL SPECS

Protocol	EPC Class 1, Gen 2
Frequency Range	902-928 MHz
Read Range	Up to 3 ft (1 m) (Above ground on metal)
IC Chip	Alien Higgs-3
Memory	TID - 64 bits EPC - 96 bits User - 512 bits

OPERATIONAL SPECS

Operating Temperature	-30° to +85°C -22° to 185°F
Max Temperature	-40° to +150°C -40° to +302°F
IP Rating	IP68
Attachment	3M adhesive (Peel and stick)
Warranty	1 year limited

To learn more, visit us on the web at www.inframarker.com

877-686-8550 | info@inframarker.com | inframarker.com

NOTE: All information is subject to engineering and/or other changes. All trade names are copyrighted.
© 2022 Berntsen International, Inc. All rights Reserved

